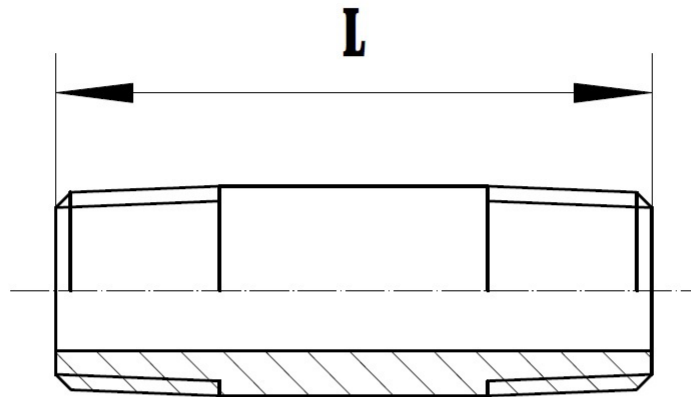
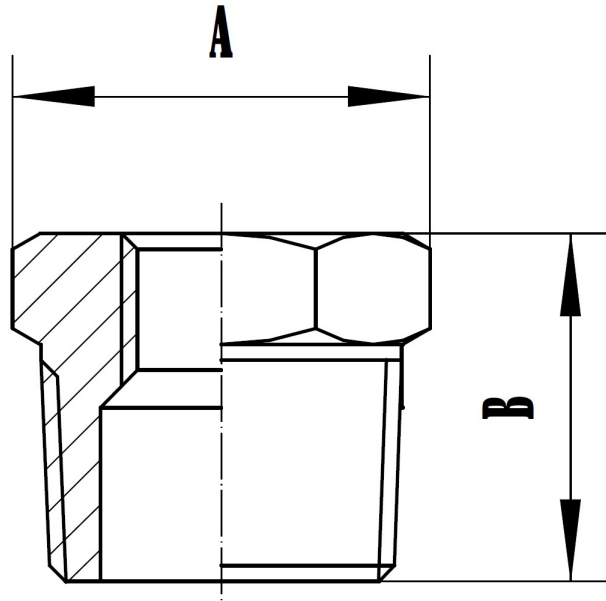


nikal STEELS

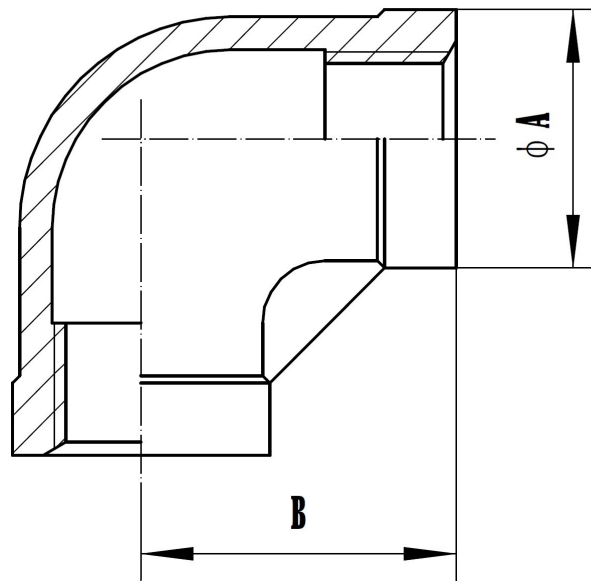
150LB BSP FITTINGS
DATA SHEET



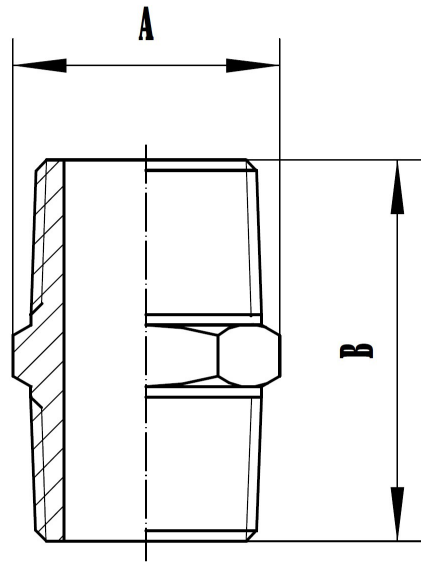
Standard		L
Size	DN	
1/4	8	30
3/8	10	40
1/2	15	60
3/4	20	60
1	25	60
1 1/4	32	80
1 1/2	40	80
2	50	100
2 1/2	65	100
3	80	120



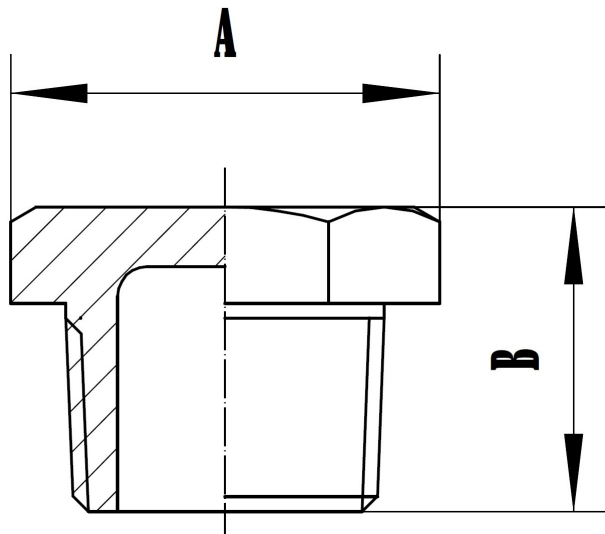
Standard		A	B
Size			
1/4	1/8	14.5	14.5
3/8	1/8	18	16
	1/4		
1/2	1/8	21.4	19.5
	1/4		
	3/8		
3/4	1/8	27	21
	1/4		
	3/8		
	1/2		
1	1/8	33.9	24
	1/4		
	3/8		
	1/2		
	3/4		
1 1/4	3/8	42.7	27
	1/2		
	3/4		
	1		
1 1/2	1/2	48.6	27
	3/4		
	1		
	1 1/4		
2	1/2	60.5	31
	3/4		
	1		
	1 1/4		
	1 1/2		
2 1/2	1/2	78	34
	3/4		
	1		
	1 1/4		
	1 1/2		
	2		
3	1 1/4	91	37.5
	1 1/2		
	2		
	2 1/2		
4	2	116	44
	2 1/2		
	3		



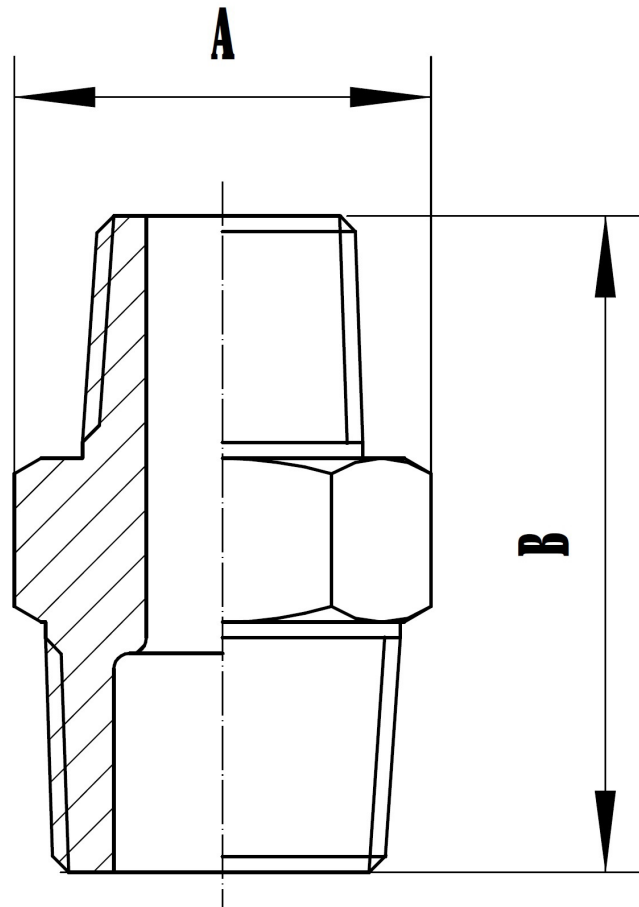
Standard			
Size	DN	A	B
1/4	8	16.4	17
3/8	10	20.2	19.5
1/2	15	25.6	25
3/4	20	31.2	27.5
1	25	38.7	32.5
1 1/4	32	48	38.5
1 1/2	40	54	43
2	50	66.7	52



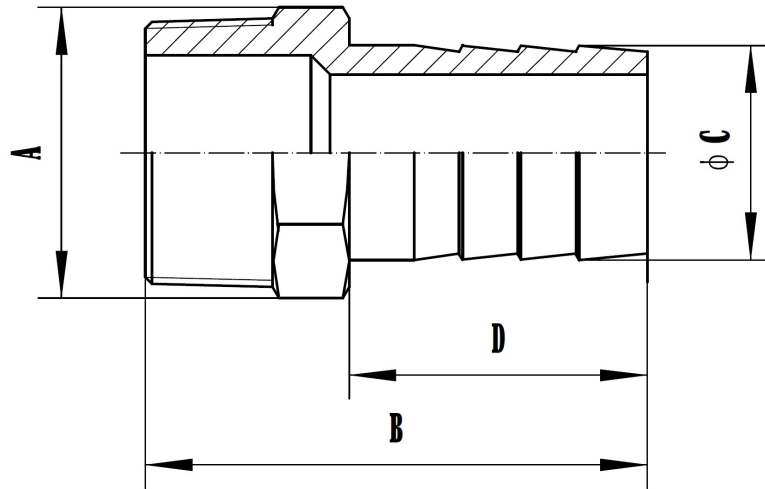
Standard			
Size	DN	A	B
1/8	6	12	29.5
1/4	8	14	26
3/8	10	18	28
1/2	15	22	33.5
3/4	20	28	38
1	25	35	41.5
1 1/4	32	44	47.5
1 1/2	40	50	47.5
2	50	62	57
2 1/2	65	78	67
3	80	91	75
4	100	116	81



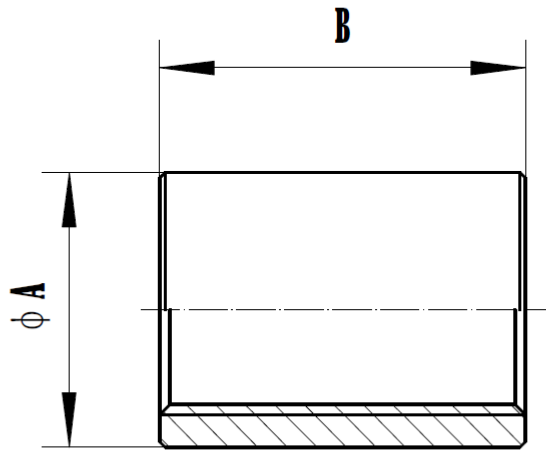
Standard			
Size	DN	A	B
1/8	6	16.8	17.7
1/4	8	16.8	17.7
3/8	10	18	18.5
1/2	15	22	19.5
3/4	20	28	22
1	25	35	24.8
1 1/4	32	44	28.8
1 1/2	40	50	28.8
2	50	62	33.5
2 1/2	65	78	34
3	80	91	37.5
4	100	116	44



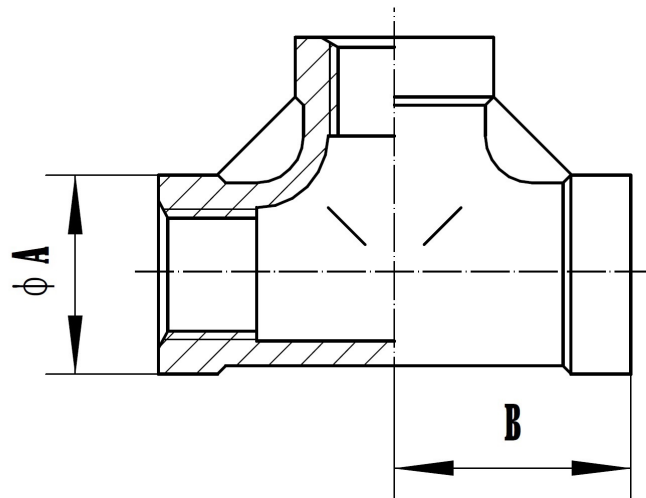
Standard			
Size		A	B
1/4	1/8	14.5	22.5
3/8	1/8	18	24
	1/4	18	26.5
1/2	1/8	21.4	27.5
	1/4	21.4	30
	3/8	21.4	30.5
3/4	1/8	27	29
	1/4	27	31.5
	3/8	27	32
	1/2	27	35.5
1	1/8	34	32
	1/4	34	34.5
	3/8	34	35
	1/2	34	38.5
1 1/4	3/4	34	39.5
	1/4	42.7	37.5
	3/8	42.7	38
	1/2	42.7	41.5
1 1/2	3/4	42.7	42.5
	1	42.7	45
	3/8	48.6	38
	1/2	48.6	41.5
	3/4	48.6	42.5
2	1	48.6	45
	1 1/4	48.6	47.5
	1/2	60.5	45.5
	3/4	60.5	46.5
	1	60.5	49
2 1/2	1 1/4	60.5	51.5
	1 1/2	60.5	51.5
	1	78	52
	1 1/4	78	54.5
3	1 1/2	78	54.5
	2	78	59
	1 1/2	92	68.5
4	2	92	72.6
	2 1/2	92	76
	2	118	77
	2 1/2	118	79.5
	3	118	82



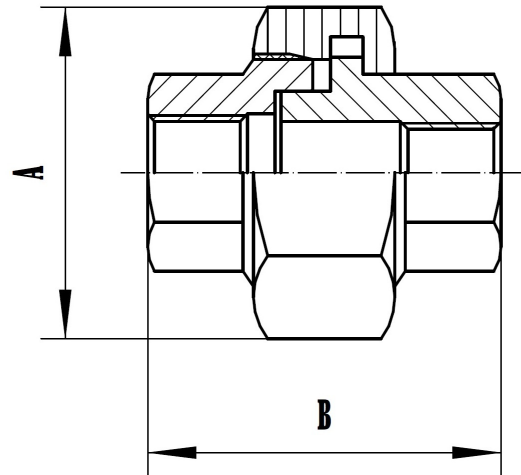
Standard		A	B	C	D
Size	DN				
1/8	6	11	29	7	17
		14.5	46	9	29
		14	46	12	29
1/4	8	14	42.4	7	24.4
		14	40	9	23
		15	47	11	28.3
		19	51	13	31.5
3/8	10	19	45.5	7	26.5
		18.2	48.5	9	28.8
		17.5	40	11	23
		19	51	13	31.6
		22.5	61.4	16	37
1/2	15	22.5	53.7	9	29.8
		23.2	63	11	38.5
		21.5	47.5	13	28
		22	61.5	15	37
		22	63	17	38
		23	62	19	37
		23.2	63	20	38
		23.2	63	21	38
3/4	20	28	63	16	37
		27	50.5	20	28
		28.8	66.4	25	38.8
1	25	34	67	21	38
		34	61	25	36
		34	71	30	38
1 1/4	32	42.7	63.5	33	36
1 1/2	40	48.6	75	39	44
		50	88	46	55
2	50	60.5	79	51	44
		62	95	57	58



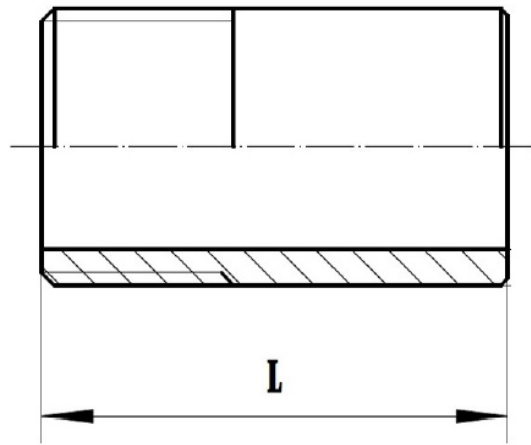
Standard			
Size	DN	A	B
1/8	6	15	20
1/4	8	18.5	25
3/8	10	21.3	26
1/2	15	26.6	34
3/4	20	31.8	36
1	25	39.5	43
1 1/4	32	48.3	48
1 1/2	40	54.5	48
2	50	66.2	56
2 1/2	65	82	65
3	80	95	71
4	100	121	83



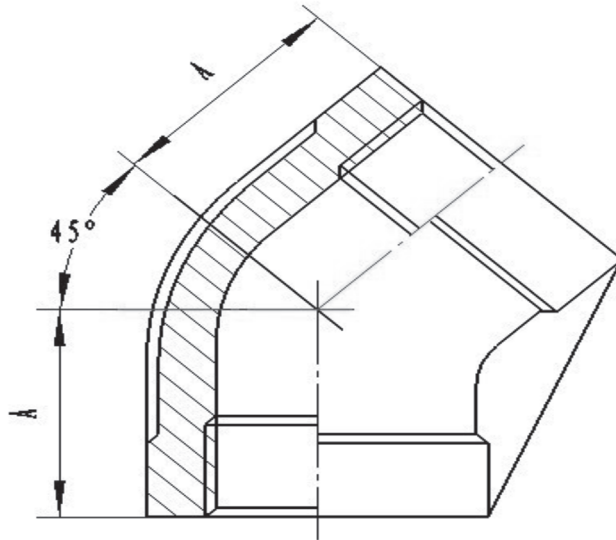
Standard			
Size	DN	A	B
1/4	8	16.4	17
3/8	10	20.2	19.5
1/2	15	25.6	25
3/4	20	31.2	27.5
1	25	38.7	32.5
1 1/4	32	48	38.5
1 1/2	40	54	43
2	50	66.7	52



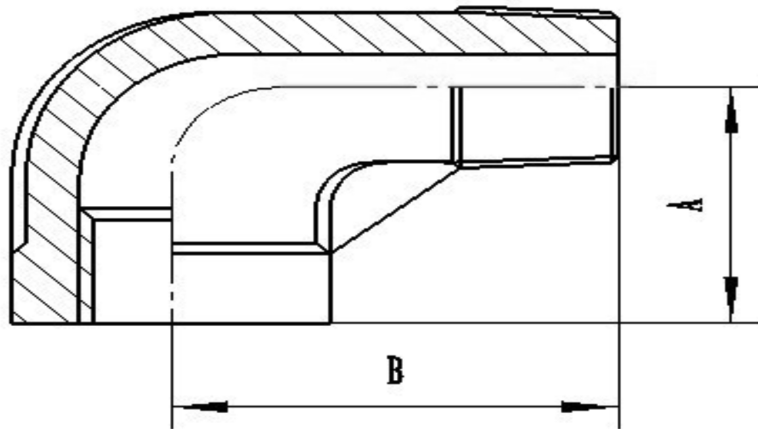
Standard			
Size	DN	A	B
1/8	6	29	32
1/4	8	29	32
3/8	10	34	35.5
1/2	15	37.5	37.5
3/4	20	44.5	42
1	25	53.5	50
1 1/4	32	64	51.5
1 1/2	40	71.5	58
2	50	85.5	64
2 1/2	65	109	70
3	80	123.3	80
4	100	154	92.5



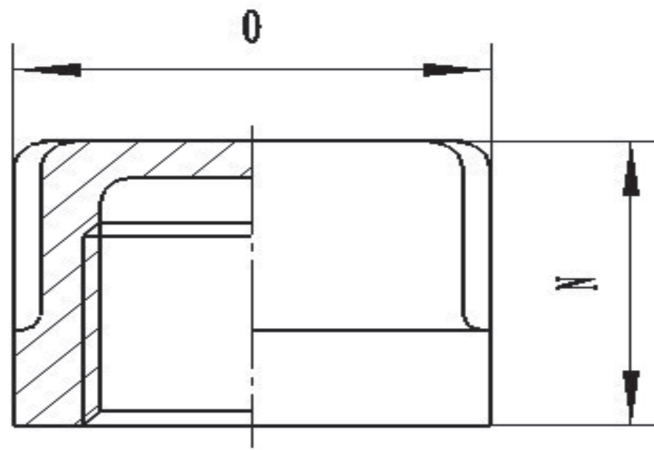
Standard		L
Size	DN	
1/8	6	30
1/4	8	30
3/8	10	30
1/2	15	35
3/4	20	40
1	25	40
1 1/4	32	50
1 1/2	40	50
2	50	50
2 1/2	65	60
3	80	70
4	100	80



A	
1/8	17.7
1/4	18.6
3/8	20.5
1/2	22.5
3/4	25
1	28.2
1 1/4	32.2
1 1/2	36
2	42
2 1/2	47
3	52
4	63



	A	B
1/8	15.4	23
1/4	17.6	27
3/8	20.5	30
1/2	20.5	30
3/4	24	34.5
1	30	39.5
1 1/4	35.5	46.5
1 1/2	38.5	49.5
2	48	60.5
2 1/2	62.5	87
3	79.3	106.5
4	100.5	126.3



	O	N
1/8	16.5	13.7
1/4	19.8	15.6
3/8	22.4	16.9
1/2	25.6	18.6
3/4	31.8	20
1	39	23
1 1/4	48.4	26.2
1 1/2	54.4	26.2
2	67	31
2 1/2	84	31.7